



Room Air Conditioner SVC MANUAL(Exploded View)

MODEL : TS-C122YDA0

CAUTION

Before Servicing the unit, read the safety precautions in General SVC manual.
Only for authorized service personnel.

1. Specification

Models		TS-C122YDA0	
Cooling Capacity (Min ~ Rating ~ Max)		kW	3.52
		Btu/h	12,000
Heating Capacity (Min ~ Rating ~ Max)		kW	-
		Btu/h	-
Power Input	Cooling/Heating	W	1 150/-
Running Current	Cooling/Heating	A	5.4/-
Starting Current	Cooling/Heating	A	26/-
EER		W/W	3.05
		Btu/h.W	10.43
COP		W/W	-
Power Supply		Φ / V / Hz	1/220/60
Power Factor		%	99.3
Air Flow Rate	Indoor,Max	m ³ /min(cfm)	8.83
	Outdoor,Max	m ³ /min(cfm)	18
Moisture Removal		l/h	1.46
Sound Level	Indoor,H/M/L	dB(A)+1	41
	Outdoor,Max	dB(A)+1	51
Refrigerant & Charge(at 7.5m)		g(oz)	R22, 650(22.92)
Additional Refrigerant Charge		g/m(oz/ft)	20(0.22)
Compressor	Type	Rotary(Non Tropical)	
	Model	PH180X1C-3FTU2	
	Motor Type	PSC	
	Oil Type	SUNISO 4GSI	
	Oil Charge	cc	400 cc
	O.L.P Name	-	
Fan(Indoor)	Type	Cross Flow Fan	
	Motor Output	W	46
Fan(outdoor)	Type	Propeller	
	Motor Type	AC Induction	
	Motor Output	W	89
Circuit Breaker*		A	29
Power Supply Cable		No.*mm ²	3*1.0
Power and Transmission Cable		No.*mm ² +No.*mm ²	-
Piping Connections	Liquid Side	mm(in)	6.35(1/4)
	Gas Side	mm(in)	12.7(1/2)
Drain Hose	O.D , I.D	mm(in)	21.5,16(0.85,0.63)
Dimension	Indoor(W*H*D)	mm	902*322*200
		inch	35.5*12.68*7.87
	Outdoor(W*H*D)	mm	770*540*2450
		inch	30.31*21.26*9.65
Net Weight	Indoor	kg(lbs)	9(19.8)
	Outdoor	kg(lbs)	35(77.1)
Operation Range	Cooling(Outdoor)	°C(°F)	21 ~ 43
	Heating(Outdoor)	°C(°F)	-
Max. Piping Length		m(ft)	13
Max. Elevation Difference		m(ft)	7.5
Tool Code(Chassis)	Indoor + Outdoor	SY + UL	
Functions	Temperature Control		Thermistor
	Plasma Filter		○
	Prefilter(washable/anti-fungus)		○
	Auto Clean		-
	CHAOS Wind(Auto Wind)		○
	Steps, Fan/Cool/Heat		3/4/-
	Airflow Direction Control(up&down)		Auto
	Airflow Direction Control(left&right)		Manual
	Remocon Type		Wireless Simple
	Setting Temperature Range	Cooling	18 ~ 30
		Heating	-
	Auto Operation (Micom Control)		-
	Auto Changeover (Micom Control)		-
	Self Diagnosis		○
	Timer		7h, On/Off
	Sleep Operation		○
	Soft Dry Operation		○
	Restart Delay(minute)		3
	Deice Control(Defrost)		○
	Hot Start		-
	Jet Cool		○
	Low Ambient Operation		-
	Special Function		-
Network Functions	Dry Contact		-
	Network Solution(LGAP)		-
	PI485		-
Note:			

Note:

○ : Applied, - : No relation

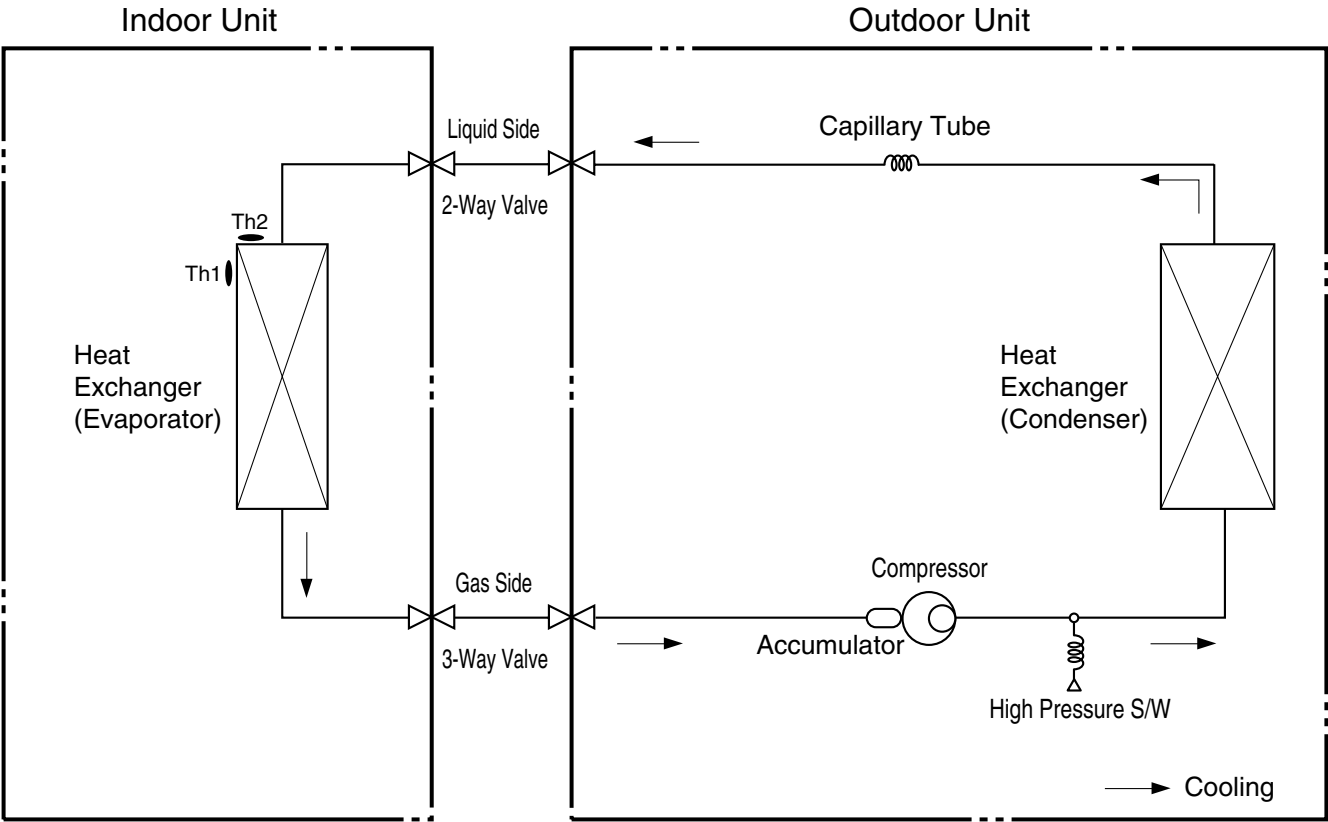
* For circuit breaker rating, please conform to local standards wherever necessary.

* Some of functions are slightly different depending upon models.

* The specification may be subject to change without prior notice for purpose of improvement.

2 Room Air Conditioner

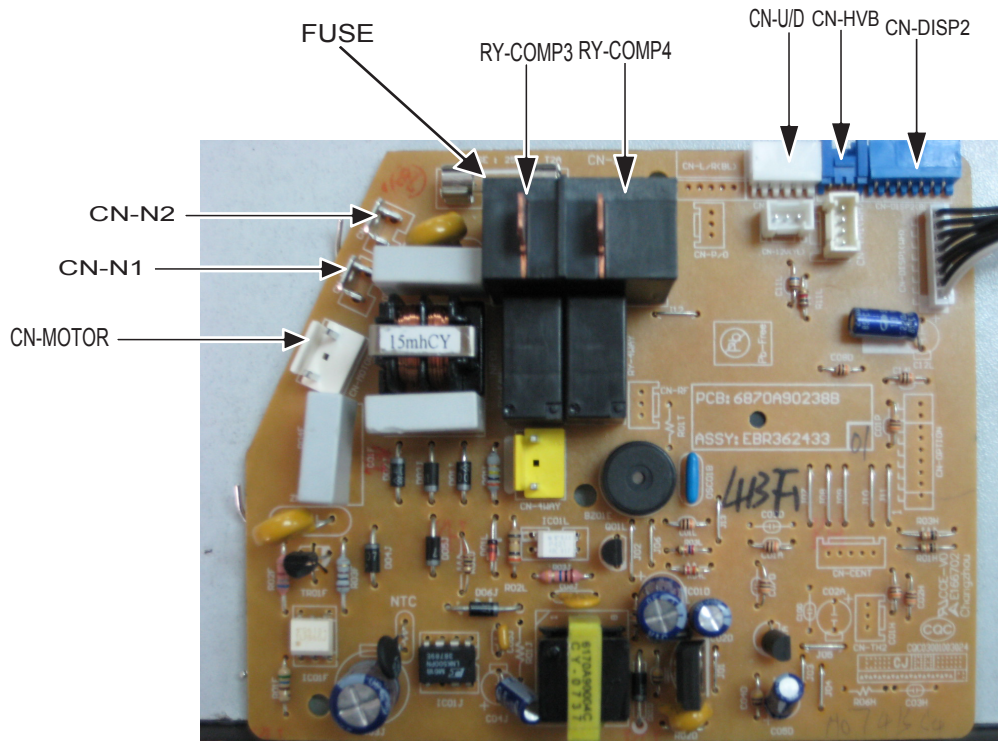
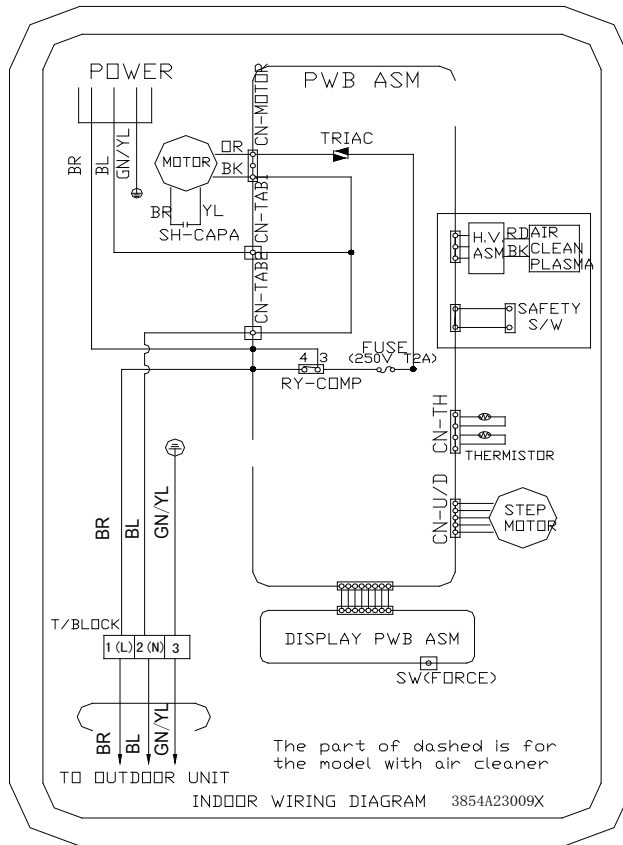
2. Piping Diagrams



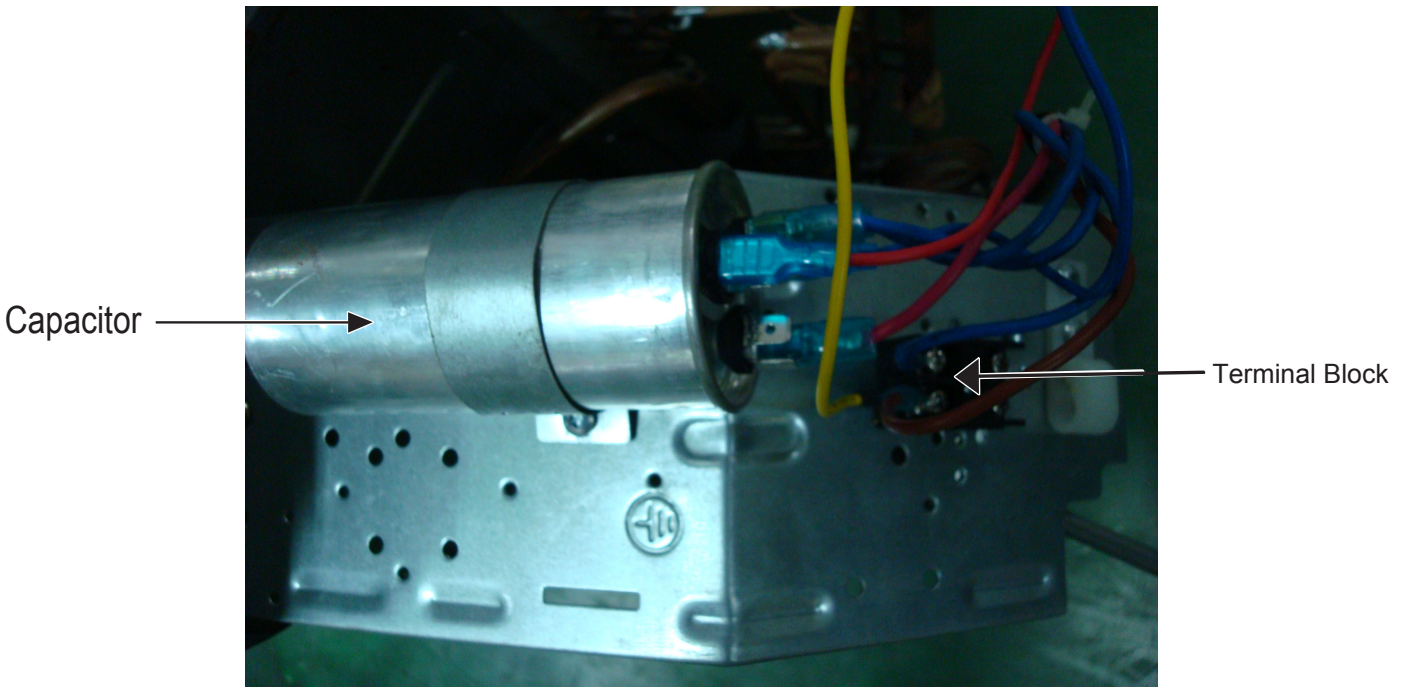
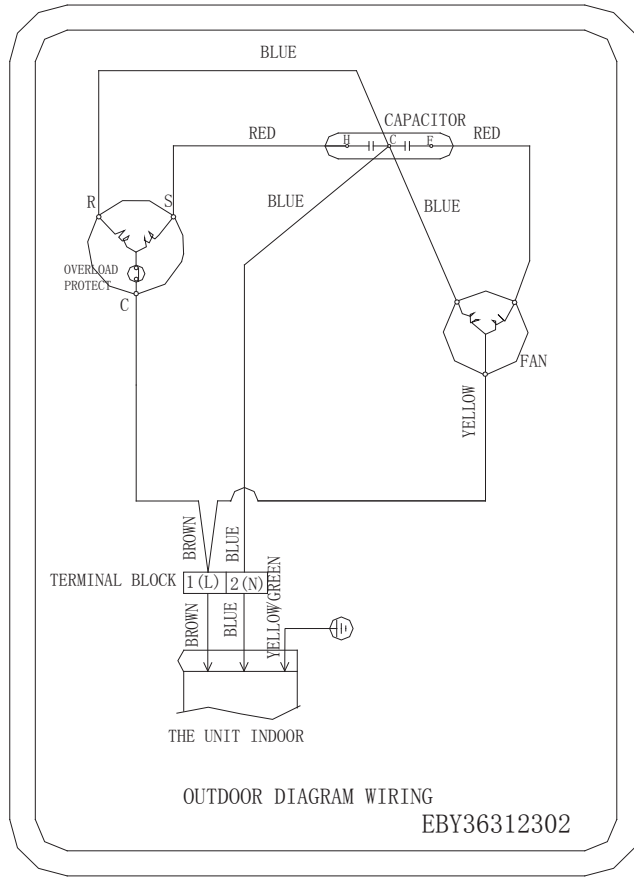
LOC.	Description	PCB Connector
Th1	Thermistor for indoor air temperature	CN-TH1
Th2	Thermistor for evaporating temperature	

3. Wiring Diagrams

Indoor Unit

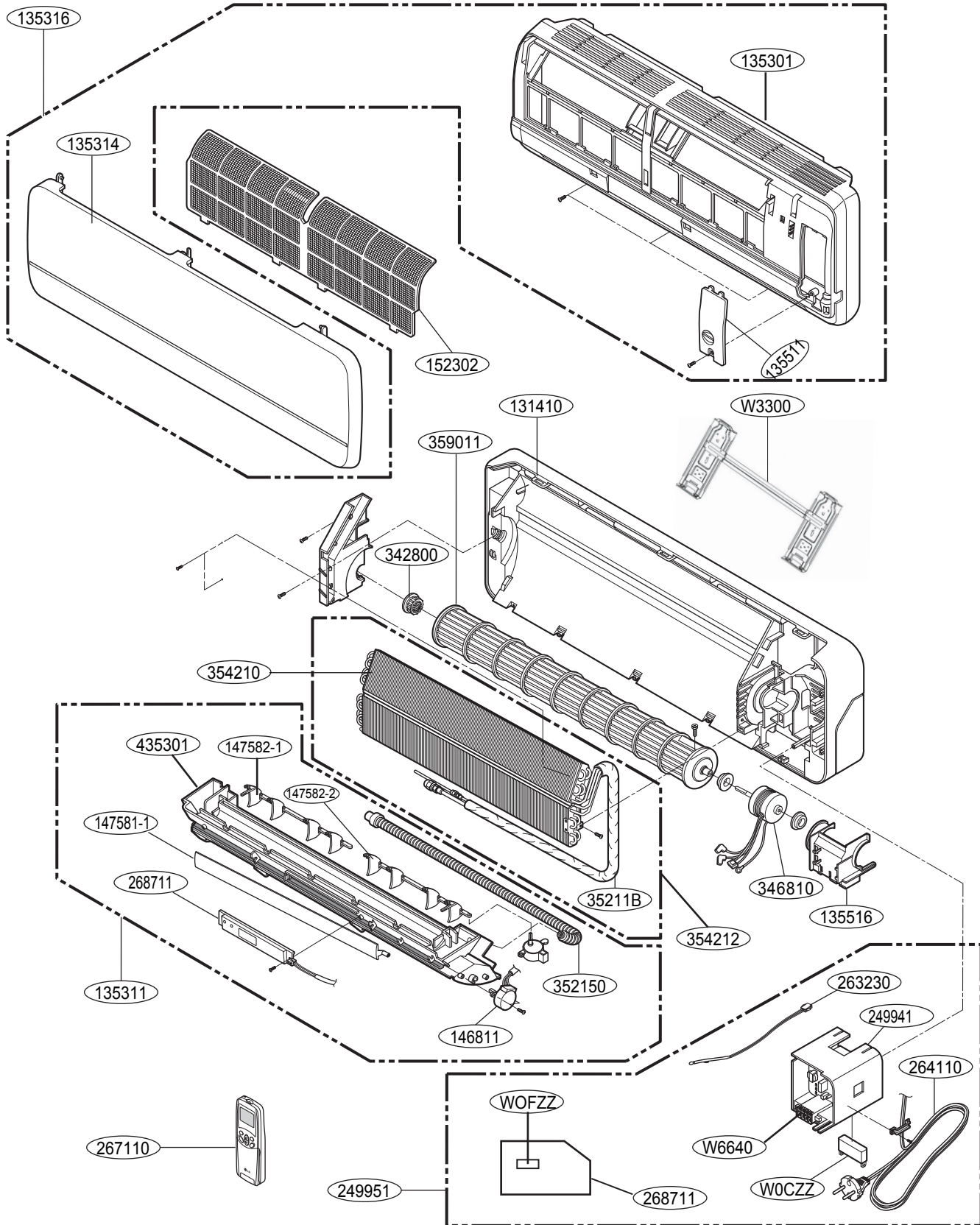


Outdoor Unit



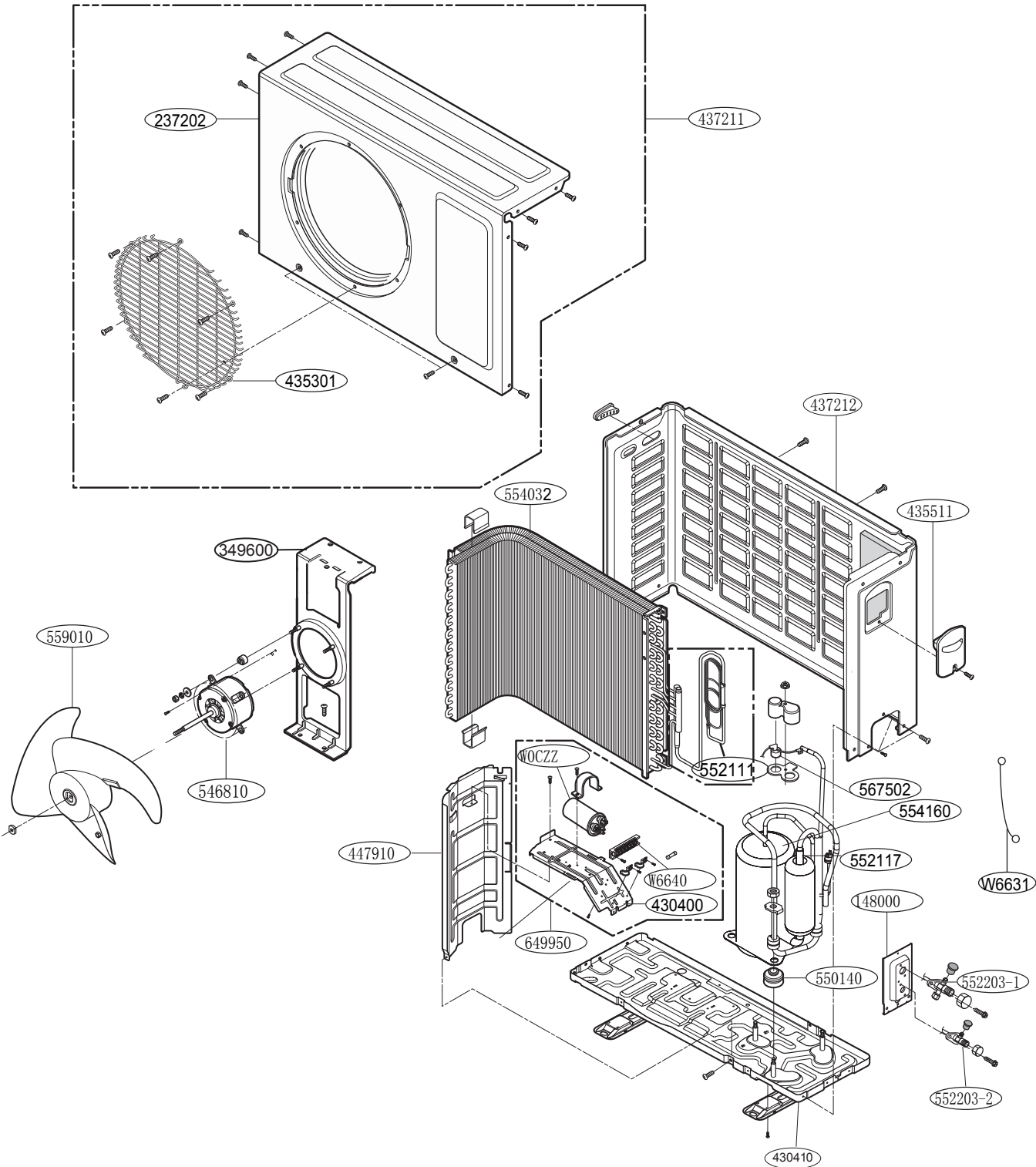
Exploded View

1. Indoor Unit



Outdoor Unit

■ Models: TS-C122YDA0





P/NO : MFL37322726

DECEMBER, 2008